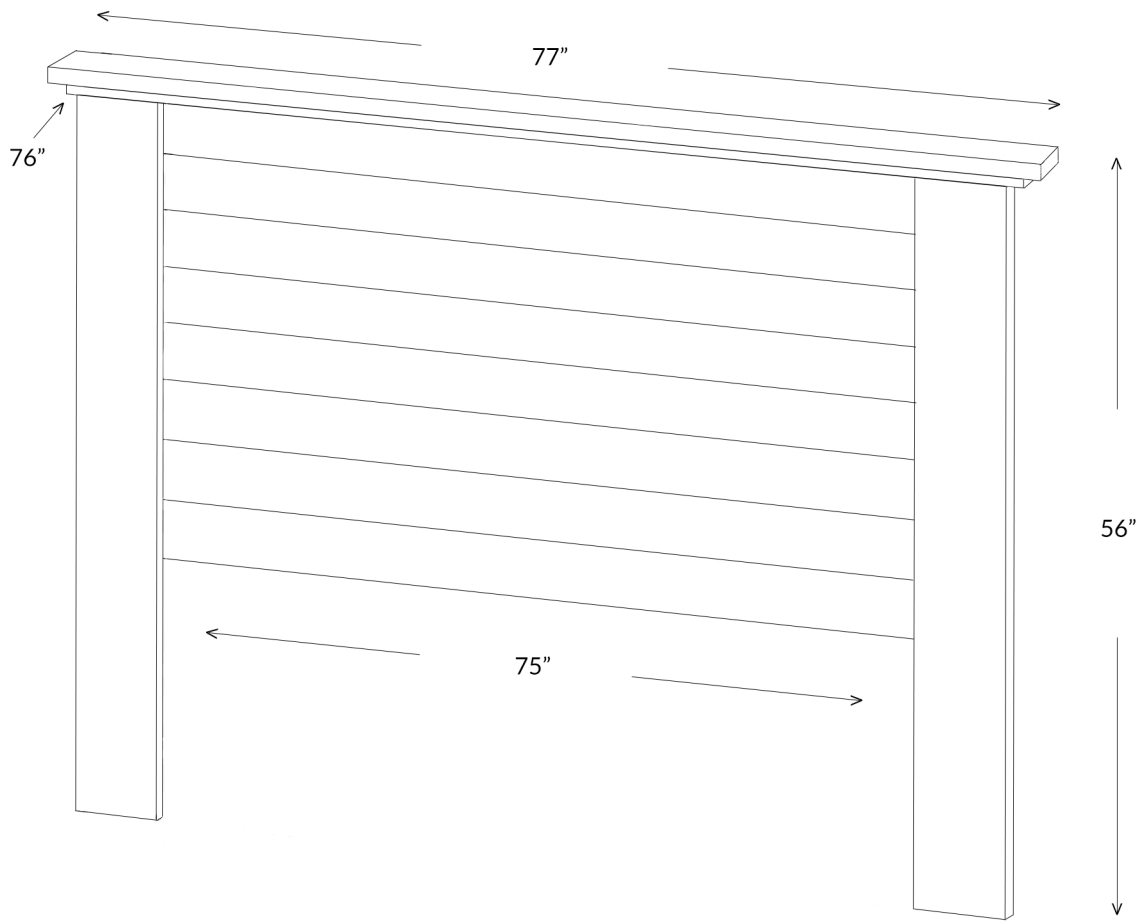


KARA LAYNE

DIY FARMHOUSE CAL KING HEADBOARD



SHOPPING LIST

- | | |
|---|------------------------------------|
| 8 - 2x4's cut to 75 inches long | sandpaper in 60 and 100 grit |
| 2 - 2x6's cut to 53 ½ inches long | electric sander |
| 1 - 2x4 cut to 77 inches long | wood filler / putty |
| 1 - 1x3 cut to 76 inches long | putty knife |
| 2 - 2x4 cut to 19 inches long (to add more support to base) | wood stain of choice |
| 2 ½ inch screws | scrap cloths for stain application |
| 1 ¼ inch screws | sponge |
| drill bit (slightly smaller than the screws) | headboard anchors |